



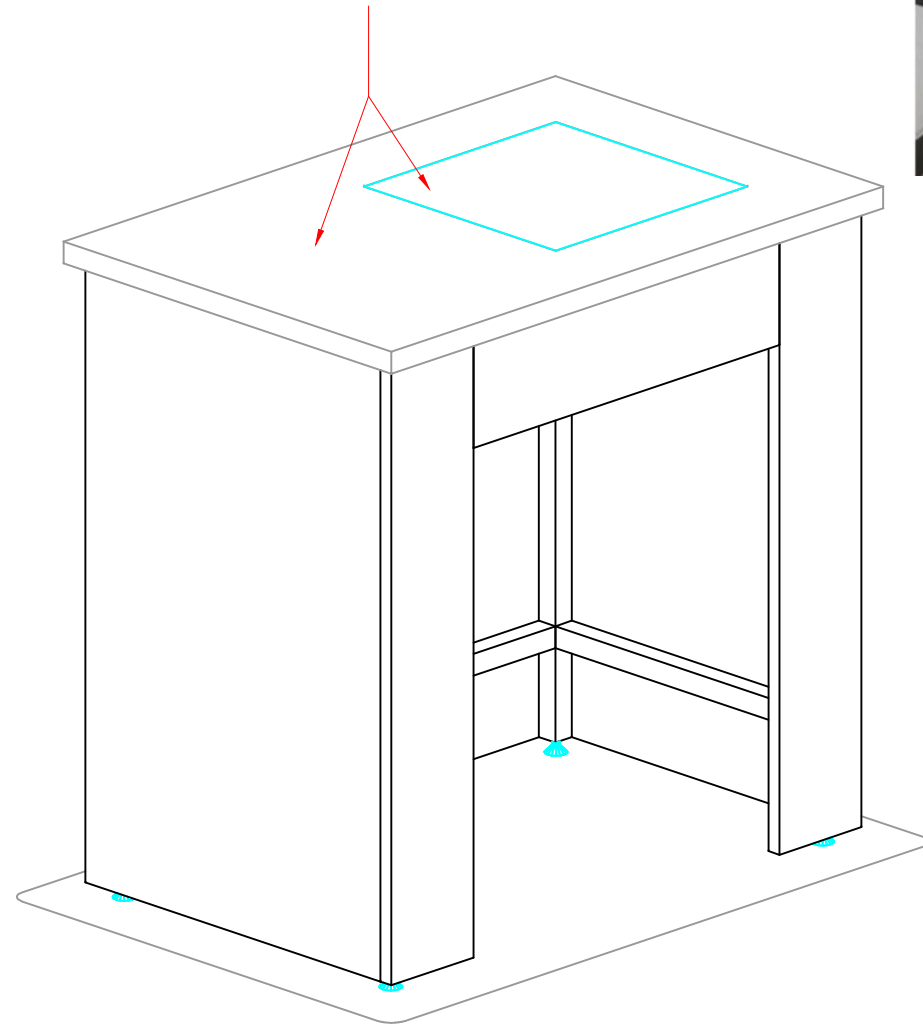
HERAIS BALANCE TABLE

www.herais.ca

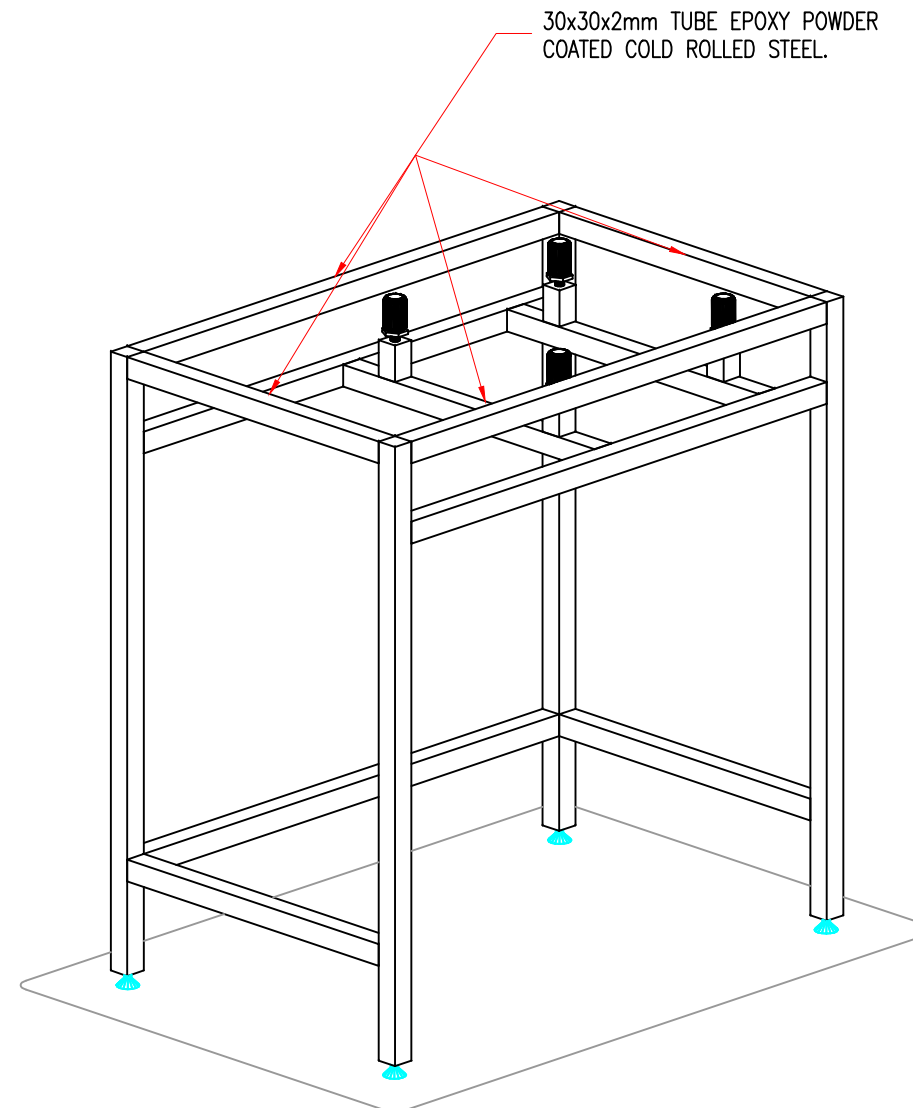
SITE MEASUREMENTS SHOULD BE TAKEN BEFORE PRODUCTION



40mm THICK MARBLE TOP



PERSPECTIVE VIEW
BALANCE TABLE



PERSPECTIVE VIEW
SUPPORT FRAME

ALL DIMENSIONS IN MM TOLERANCE 2mm ±

Note:-
The copyright of these drawings & of all enclosures entrusted to the recipient personally remains the exclusive property of HIGTC. Without our written consent they may not be Copied, Reproduced, Delivered or Made known to third parties.



Date	DESCRIPTION
------	-------------

Note:-

Core Material:

1.25mm THICK ZINK TREATED EPOXY POWDER COATED MILD STEEL SHEET.

Or

19mm THICK MELAMINE LAMINATED PLYWOOD WITH 2mm THICK PVC EDGING.

Mild Steel Frame:

30x30x2mm TUBE EPOXY POWDER COATED COLD ROLLED STEEL.

BALANCE TABLE

Project:

LAB FURNITURE

Supplier:



Dwg. No
02/003/19

Rev Date